

PENTOLE GAS-ELETTRICHE INDIRETTE 60lt E700XP
GAS-ELECTRIC BOILING PAN INDIRECT HEATING 60lt E700XP

PNC	Model	Ref	Pag.	Brand	Version	Notes
371269	E7BSGHINF0	a	2-6	ELX	GAS	60 LT
371270	E7BSGHINFR	b	2-6	ELX	GAS	60 LT AUTO.REFILL
371272	E7BSEHINF0	c	2-6	ELX	EL	60 LT
371273	E7BSEHINFR	d	2-6	ELX	EL	60 LT AUTO.REFILL
371274	E7BSEHIN40	d	2-6	ELX	GAS	60 LT 60Hz
371275	E7BSEHIN4R	d	2-6	ELX	GAS	60 LT AUTO.REFILL 60Hz
372269	Z7BSGHINF0	e	2-6	ZAN	GAS	60 LT
372270	Z7BSGHINFR	f	2-6	ZAN	GAS	60 LT AUTO.REFILL
372272	Z7BSEHINF0	g	2-6	ZAN	EL	60 LT
372273	Z7BSEHINFR	h	2-6	ZAN	EL	60 LT AUTO.REFILL
373269	A7BSGHINF0	i	2-6	OEM	GAS	60 LT
373272	A7BSEHINF0	l	2-6	OEM	EL	60 LT



PLATON SERVICE
8 (800) 500-34-41
www.platonservice.com

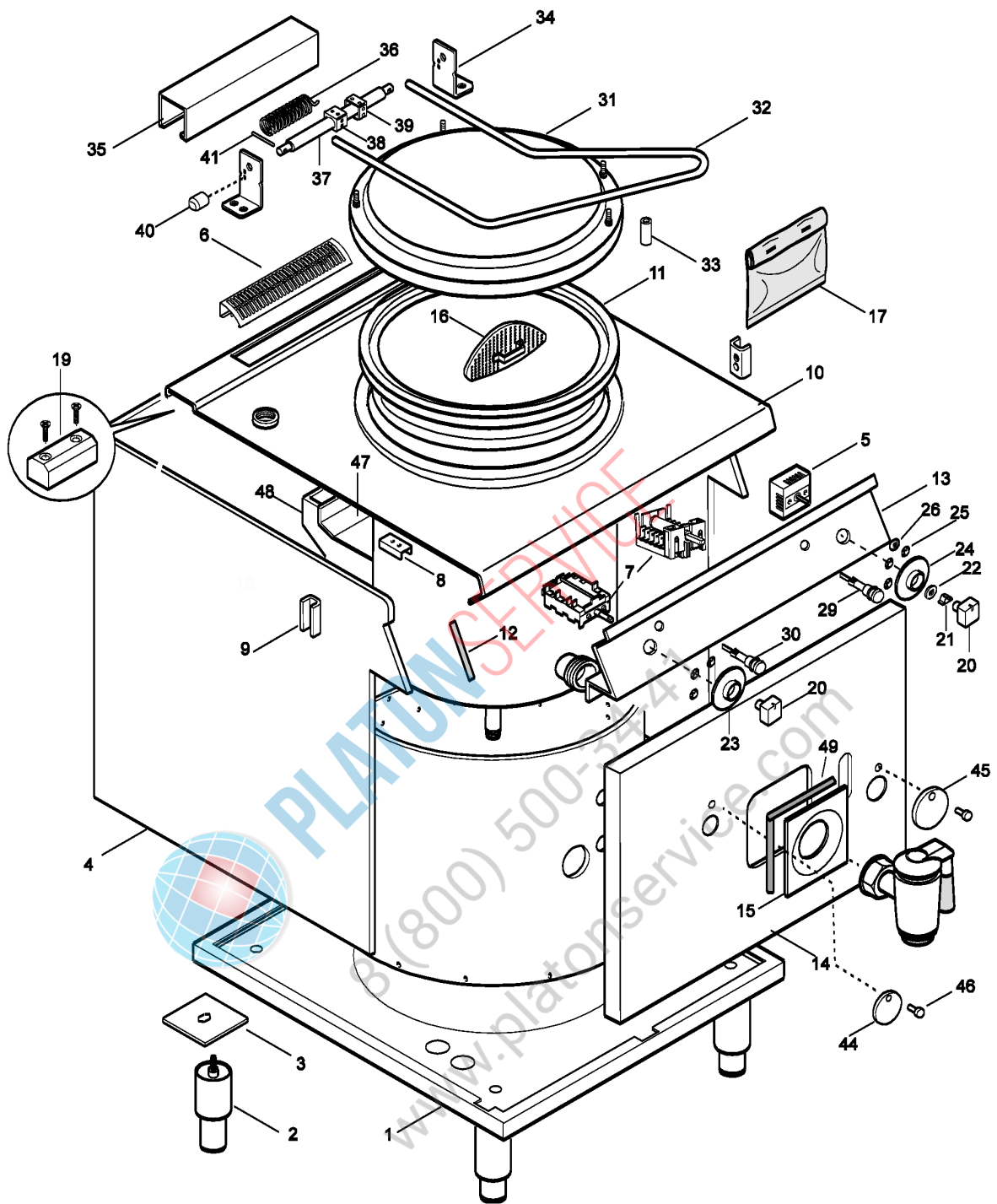
Pag	Index	Indice	Note
2,4	Components	Componenti	
3	Gas components	Componenti Gas	
5	Electric components	Componenti Elettrici	
6	Auto refill components	Componenti caric. autom.	
7,8,9	Spare parts list	Lista ricambi	

Brand/Marchio: All
Factory code: 9PDX

From sr. Nr/ Da Ser. Nr.: 116

Page: 1 Ed. 2016 12

Doc. Nr.: **059785VH00**



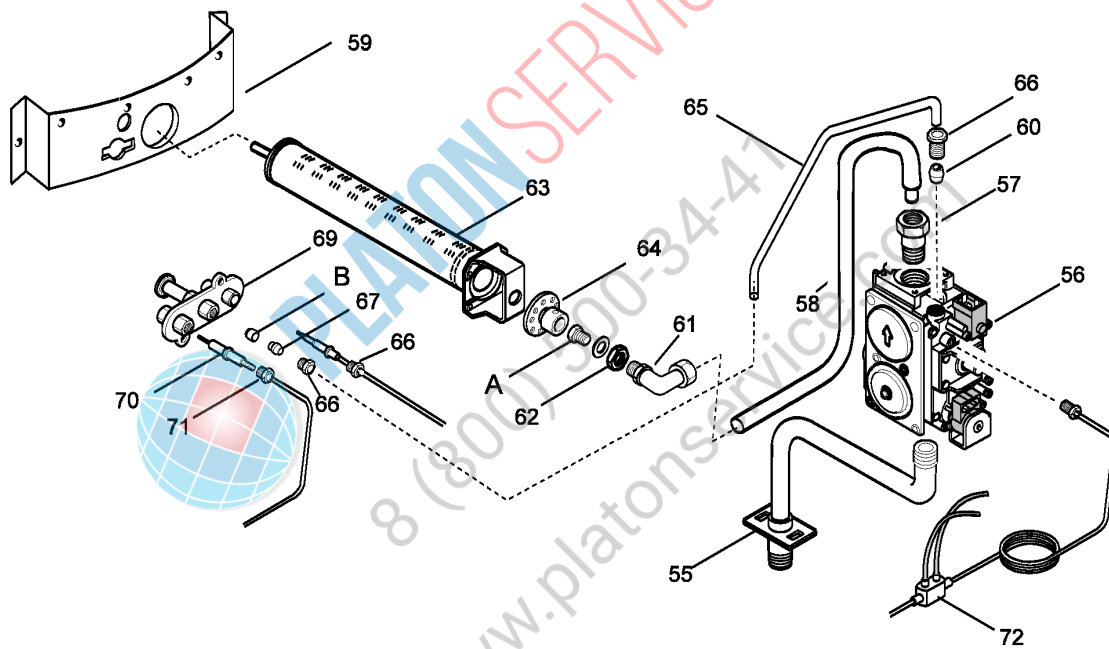
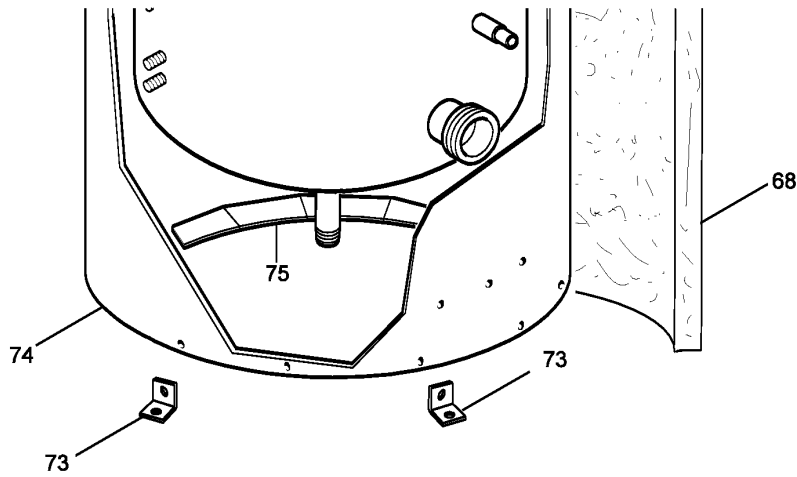
From sr. Nr/ Da Ser. Nr.: 116

Page: 2 Ed. 2016 12

Doc. Nr.: **059785VH00**

??????	371273									
??????	59785VH00	???????? 2	Components							
.		Alias		S			.			(Euro)
0001	000000	050489KH03							GAS	
0001	000000	050489KJ02							EL	
0002	0C0204	0835856901		S	C			FOOT; Ø=50,5MM; PIN M10; AISI 304		22,11
0003	000000	050589CD00								
0004	000000	085089FJ01							ZAN, OEM	
0004	0C8598	085089FF01			D			COVERING PLATE	ELX	188,80
0005	0C1605	0699802200		S				ENERGY REGULATOR		21,32
0006	0C7705	050389LM00						CHIMNEY GRID; L=500MM		29,03
0007	059544	0641802400		S				COMMUTATOR; 4 POS.		19,08
0007	0C9180	0641805401						COMMUTATOR; 4 POS. 6POLE		20,50
0008	000000									
0009	0C0156	0527850500		S				BRACKET		2,41
0010	0C7706	087089CQ01						PAN PLATE	ELX	339,00
0010	0C7709	087089KU01						PAN PLATE; IND. GAS	ZAN, OEM	346,10
0011	0C2640	0873858601			D			PAN WITH COVERING PLATE; ASSY		1 690,00
0012	0C2496	0543821900		S				GASKET; CONTROL PANEL; BY METER; GREY		6,07
0013	0C7537	085089DM02						SAFETY THERMOSTAT	ELX	98,66
0013	0C7558	087089GV01			D			REFRACTORY BRICK; 358X716 MM	ZAN	140,10
0013	0C8058	050389TS01						CONTROL PANEL	OEM	61,00
0014	0C7812	050389Y800			D			FRONT PANEL	AS	260,90
0014	0C7813	050389Y900			D			FRONT PANEL	EL	248,70
0014	0C7814	050389YA00			D			FRONT PANEL	GAS - AUTO RE	260,90
0014	0C7815	050389YB00			D			FRONT PANEL	EL - AUTO REF	248,70
0015	0C1575	0530800800						PANEL		34,71
0016	027114	0310122725		S				GRILL		41,01
0017	0C1876	0858800100	006101					WATER ADDITIVE AGAINST CORROSION		
0019	0C0137	0516860702	0C9655	S		+		PLATE		
0020	0A5621	0548865500		S				KNOB; Ø PIN=6MM	OEM	9,51
0020	0C6670	0511850G01	0C8700	S		+		KNOB; DIA.10	ELX	
0020	0C7232	0548878201		S				KNOB; DIA.6	ZAN	15,48
0020	0C7345	0548877V00		S				KNOB ADAPTER	ELX	1,57
0021	025245	0214590701		S				KNOB SPRING		1,02
0022	053816	0543821000		S				GASKET; ØI=4,5MM; ØE=14MM; H=3MM		3,29
0023	0C7526	0548877B01						RING NUT	ELX	7,95
0023	0C7532	0548879M00						RING NUT	ZAN, OEM	10,98
0024	0C7527	0548877U00						SIMMOSTAT RING NUT	ELX	7,95

??????	371273									
??????	59785VH00	???????? 2	Components							
.		Alias		S			.			(Euro)
0024	0C7534	054887A200						RING NUT	ZAN, OEM	8,68
0025	069567	0218912211	0C6288	S				RING CONNECTION		
0026	0C6171	0541813800	0C6172	S				WASHER; SILICONE		
0029	005010	0876800002		S				GREEN PILOT LAMP ASSY; ROUND: 230V		4,76
0030	0C0687	0876800201		S				PILOT LAMP ASSY; RED		4,38
0031	004843	0806806204						LID		142,10
0032	004844	0517847707						HANDLE		85,36
0033	004845	0517847904						SPACER		6,27
0034	0C2982	0806844802						SUPPORT; ASSY		78,16
0035	0C8724	0523815207						HINGE COVERING		19,49
0036	004850	0516829901		S				SPRING		10,87
0037	004846	0516829804		S				PIN		44,56
0038	0A5570	0527800402						BLOCK		20,50
0039	0A5571	0527800501						BLOCK		14,22
0040	0A2612	0A05664001		S				HOOK		4,81
0041	0C5084	0A05918800	0C5085					SPRING COTTER; 3X40		
0044	002534	0508837201						DOOR		12,86
0045	0C1563	0527843000						SPORTELLINO D'ISPEZIONE		8,57
0046	026187	0214473001		S				PIN		2,72
0047	000000	0502899404								
0048	000000	0502899504								
0049	0L0113	0140088006	0L3189	S				GASKET; 1PC=1100MM		



A - Ugello bruciatore / Burner nozzle			
6DGT Code	Ref. / Notes		
0C0551	ø2.85	2H/2E+	G20 20mbar
0C0747	ø2.70	2H	G20 25mbar
054632	ø3.10	2ELL	G25 20mbar
004856	ø2.95	2L	G25 25mbar
004856	ø2.95	2S	G25.1 25mbar
0C0509	ø1.85	3+3B/P	G30 30mbar
003723	ø1.75	3B/P	G30 36mbar
054127	ø1.65	3B/P	G30 50mbar
055388	ø3.30	No CE	G20 10mbar
0C3079	ø6.25	No CE	G110 8mbar

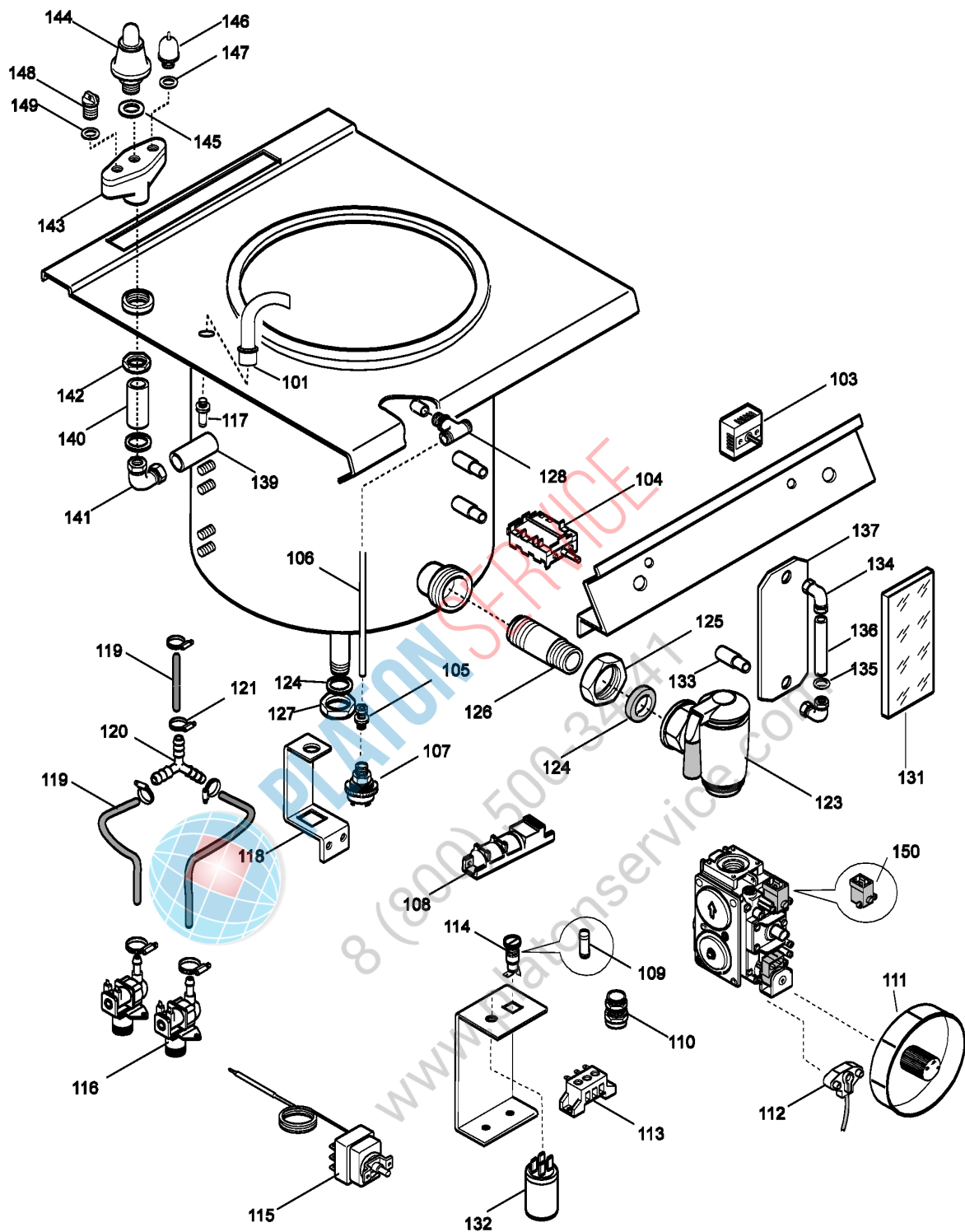
B - Ugello pilota / Pilot nozzle			
6DGT Code	Ref. / Notes		
053670	n°41	2H/2E+	G20 20mbar
053670	n°41	2H	G20 25mbar
053670	n°41	2ELL	G25 20mbar
053670	n°41	2L	G25 25mbar
053670	n°41	2S	G25.1 25mbar
053667	n°30	3+3B/P	G30 30mbar
053667	n°30	3B/P	G30 36mbar
053667	n°30	3B/P	G30 50mbar
053667	n°30	No CE	G20 10mbar
053669	n°75	No CE	G110 8mbar

From sr. Nr/ Da Ser. Nr.: 116

Page: 3 Ed. 2016 12

Doc. Nr.: **059785VH00**

??????	371273									
??????	59785VH00	???????? 3	Gas components							
.		Alias		S			.		(Euro)	
0000	003723			S				NOZZLE; Ø=1,75	5,54	
0000	004856							NOZZLE	4,28	
0000	053667			S	C			PILOT NOZZLE; N°30; GPL	2,17	
0000	053669			S				PILOT NOZZLE; N°75; TOWN GAS	2,21	
0000	053670			S	C			PILOT NOZZLE; N.41 GN	2,17	
0000	054127			S				NOZZLE	5,54	
0000	054632			S				NOZZLE	5,14	
0000	055388							NOZZLE	5,54	
0000	0C0509							NOZZLE; DIA. 1.85	5,54	
0000	0C0551							NOZZLE; DIA. 2,85	5,54	
0000	0C0747							NOZZLE; DIA. 2,70	5,43	
0000	0C3079			S				NOZZLE; DIA 6,25	7,12	
0055	0C6379	0805899H04						GAS INLET PIPE	GAS	53,08
0056	002903	0835819901		S	C			GAS VALVE; 820 NOVA 1/2"FF	GAS	141,00
0057	002074	0830873200						PIPE FITTING	GAS	13,36
0058	0C8064	0517893501						PIPE	GAS	23,45
0059	0C1624	0502899003						FRONT PANEL	GAS	19,59
0060	053665	0515827401		S	C			DOUBLE CONE; DIAM.=4MM	GAS	1,00
0061	059250	0511805401		S				NOZZLE	GAS	10,14
0062	020997	0214105101		S				LOCK NUT	GAS	1,25
0063	004847	0830816204		S				BURNER	GAS	80,79
0064	054039	0830828001		S				AERATOR	GAS	6,59
0065	0C8063	0517893601						PIPE	GAS	15,16
0066	052125	0214164400		S	C			PIPE FITTING; M10X1; HOLE DIAM.4MM	GAS	1,00
0067	052127	0215199700		S	C			DOUBLE CONE; DIA 4MM	GAS	1,00
0068	000000	0560850402							GAS	
0069	0A2472	0A05488001		S	C			PILOT BURNER	GAS	13,04
0070	052610	0330272401		S	C			SPARK PLUG; DIA 6X44 MM	GAS	4,40
0071	057960	0214164101		S	C			PIPE FITTING; SPARK PLUG	GAS	1,25
0072	0C3162	0831818901		S	C			INTERRUPTED THERMOCOUPLE; ORKLY 16400-35	GAS	30,25
0073	0C0814	0508818601						BRACKET	GAS	4,08
0074	000000	0533821804							GAS	
0075	000000	0524898001							GAS	



From sr. Nr/ Da Ser. Nr.: 116

Page: 4 Ed. 2016 12

Doc. Nr.: **059785VH00**

??????	371273								
??????	59785VH00	???????? 4	Components						
.		Alias		S			.		(Euro)
0101	0C4146	0831840901						WATER SPOUT; LT.60 N700 N900	30,75
0103	0C1605	0699802200		S				ENERGY REGULATOR	21,32
0104	059544	0641802400		S				COMMUTATOR; 4 POS.	19,08
0105	0C0888	0515863500		S				PIPE FITTING	7,33
0106	0CA058	0517893700						PIPE FOR PRESSURE SWITCH	22,74
0107	0C4083	0646815500		S				PRESSURE SWITCH; (0.38 - 0.3 BAR)	49,74
0108	004240	0624804700		S				IGNITER UNIT; 2-WAYS	GAS 13,17
0109	057783	0452140500		S				FUSE; 5X20; 4A-250V	GAS 1,02
0110	0C2328	0544802200						FIXING CABLE	GAS 2,51
0111	0C3218	0548864302						KNOB	GAS 5,96
0112	054539	0830831400		S	C			MICROSWITCH; FOR GAS VALVE	GAS 8,67
0113	046357	0639804900		S				TERMINAL BOARD;3POLE; TYPE TIPO FV 110B	GAS 5,33
0114	056582	0652800401		S				FUSE HOLDER	GAS 10,08
0115	0C0999	0646813200		S	C			THERMOSTAT	GAS 93,15
0116	0C3254	0696805700		S	C			SOLENOID VALVE; 1 WAY; 180°;230V 50-60HZ	13,98
0117	0C4455	0517881200						PIPE FITTING; D.12-1/2"M	15,48
0118	0C7083	0527842102			D			SUPPORT; FOR PRESSURE SWITCH	14,12
0119	002707	0140068008	0C3165			PDD2005-18		ARMORED RUBBER HOSE; BY METER	
0120	047431	0544615700		S				CONNECTION 3 WAY	5,86
0121	000000	0835823600							
0123	002520	0835832700	0S1037		C			DRAIN TAP; 1 1/2" F	
0124	052902	0543800200		S				GASKET	1,99
0125	0C1577	0517881000	0C8741					LOCK NUT	
0126	0C2576	0516880201						EXTENSION	75,82
0127	051717	0210360300						CAP	5,33
0128	000000								
0131	004861	0574807300						INSPEC	26,49
0132	046217	0694601000		S				RIF FILTER	9,24
0133	0CA731	0516882400							13,50
0134	002188	0830878901		S				PIPE FITTING	31,06
0135	002923	0544802100		S				O-RING; 9.13X2.62; EPDM	1,02
0136	002986	0574804201		S				PIPE	9,94
0137	000000	0508878101							
0139	051681	0215111012						PIPE	27,91
0140	051680	0215110819						PIPE	20,18
0141	0C8075	0510827701						UNION ELBOW; GAS3/4"F-F-F	10,87

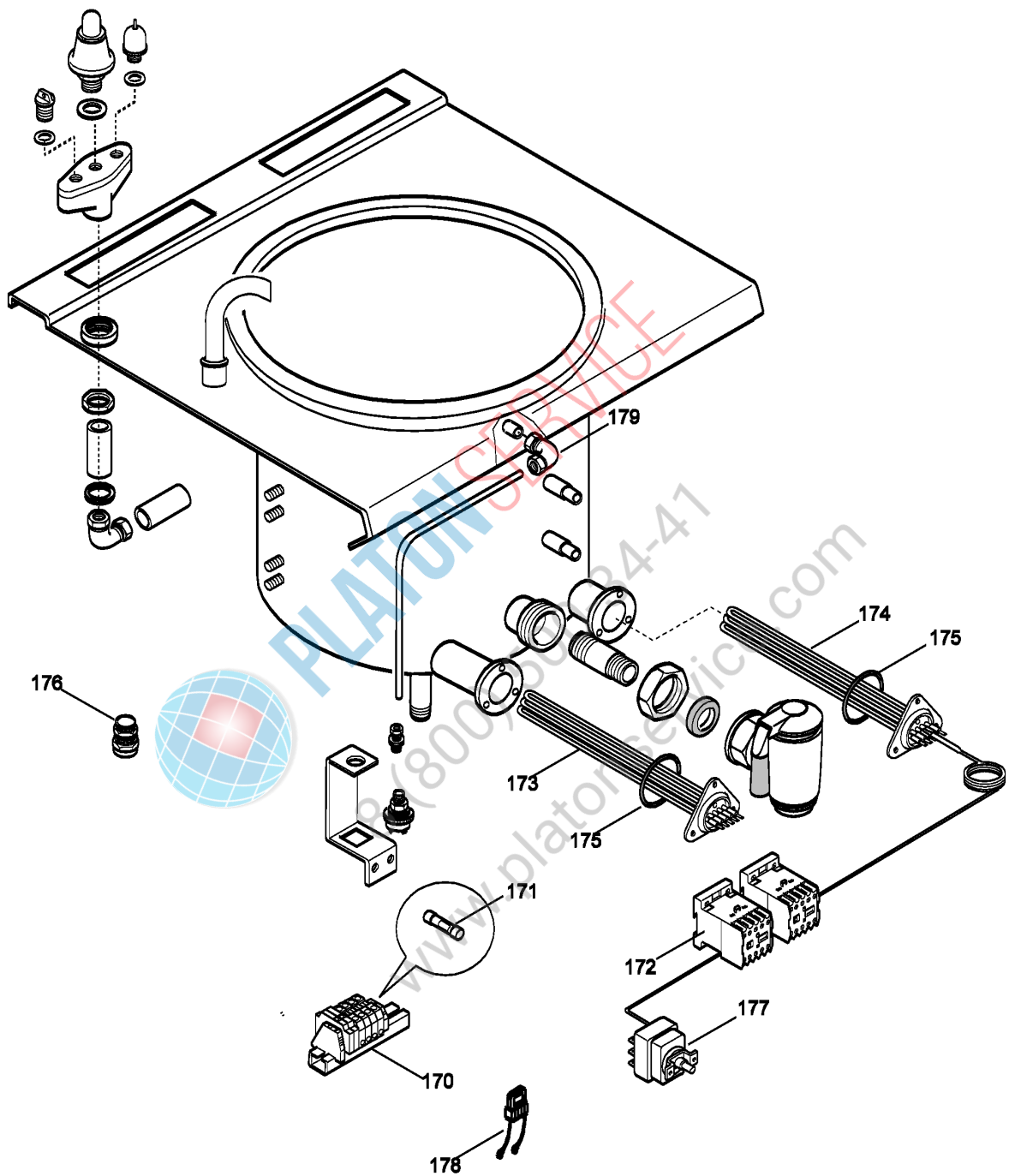
??????	371273									
??????	59785VH00	???????? 4	Components							
.		Alias		S			.			(Euro)
0142	000000	0514857001								
0143	054808	0210976402						FILTER		88,00
0144	004863	0835845101		S				SAFETY VALVE		150,20
0145	054807	0543804102		S				GASKET		1,25
0146	051566	0335239101		S	C			DEPRESSION VALVE; 3/8"		33,36
0147	0C3448	0246005123	060597	S				GASKET		
0148	027297	0210362114			C			PLUG		7,97
0149	027300	0246173500		S				GASKET		1,02
0150	OK3020			S	C			COIL; 220/240V 50HZ	GAS	41,40



PLATON SERVICE

8 (800) 500-34-47

www.platonservice.com



From sr. Nr/ Da Ser. Nr.: 116

Page: 5 Ed. 2016 12

Doc. Nr.: **059785VH00**

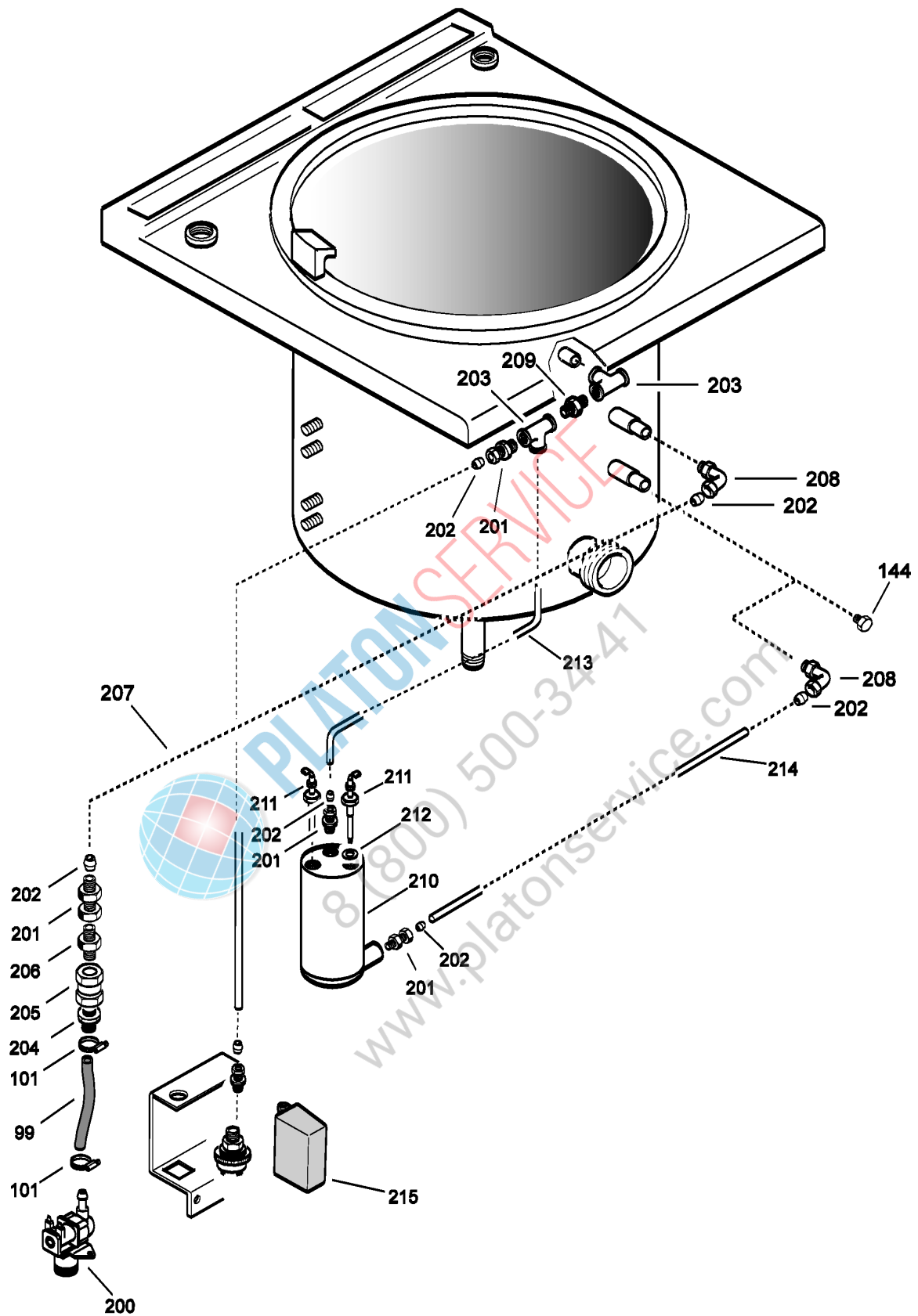
??????	371273									
??????	59785VH00		???????? 5						Eletric components	
.		Alias		S			.			(Euro)
0170	059794	0639805900		S					TERMINAL BOARD	EL 26,80
0171	057783	0452140500		S					FUSE; 5X20; 4A-250V	EL 1,02
0172	006879	0648807400		S	C				CONTACTOR; 220-240V 50HZ/240-264V 60HZ	EL 37,68
0173	002523	0617816000		S					HEATING ELEMENT; 220/230 4700W	EL 57,96
0174	002524	0617816100		S					HEATING ELEMENT; 4700W 230V	EL 69,32
0175	046213	0543800700	067620						HEATING ELEMENT GASKET	EL
0176	0C0068	0544802300		S					FIXING CABLE	EL 4,18
0177	0C2983	0646814900		S	C				OVERTEMPERATURE LIMITER; 140GR 3P	EL 82,80
0178	0C3805	0694805500							RIF FILTER; R=100 OHM C=47NF	EL 9,72
0179	OCA130	0A05633700			D				ELBOW; 1/4" F-F	a, c, e, g, i 5,41



PLATON SERVICE

8 (800) 500-34-41

www.platonservice.com

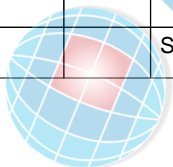


From sr. Nr/ Da Ser. Nr.: 116

Page: 6 Ed. 2016 12

Doc. Nr.: **059785VH00**

??????	371273									
??????	59785VH00	???????? 6						Auto refill components		
.		Alias		S			.			(Euro)
0099	000000									
0101	0C4146	0831840901						WATER SPOUT; LT.60 N700 N900		30,75
0144	004863	0835845101		S				SAFETY VALVE		150,20
0200	0C0938	0696805000		S				SOLENOID VALVE; 220-240 50-60HZ	AUTO REFILL	13,06
0201	0C0888	0515863500		S				PIPE FITTING	AUTO REFILL	7,33
0202	000000	0000088030							AUTO REFILL	
0203	0C1449	0511820700						UNION TEE	AUTO REFILL	14,03
0204	0C4455	0517881200						PIPE FITTING; D.12-1/2"M	AUTO REFILL	15,48
0205	058258	0835825500						NONRETURN VALVE; 1/2"FF	AUTO REFILL	52,58
0206	0CA744	0511819600							AUTO REFILL	3,50
0207	0C0940	0831812100						LEVEL GAUGE TUBE; ASS.	AUTO REFILL	134,00
0208	000000								AUTO REFILL	
0209	000000	0511820000							AUTO REFILL	
0210	0C0940	0831812100						LEVEL GAUGE TUBE; ASS.	AUTO REFILL	134,00
0211	0C0939	0831812000		S				PROBE; ASS.	AUTO REFILL	34,21
0212	0C5234	0516873100						SPACER; H9.2 MM	AUTO REFILL	4,60
0213	0C0940	0831812100						LEVEL GAUGE TUBE; ASS.	AUTO REFILL	134,00
0214	000000								AUTO REFILL	
0215	0C0937	0646813400		S				LEVEL CONTROL	AUTO REFILL	111,70



PLATON SERVICE
 8 (800) 500-34-41
 www.platonservice.com